



PREMIUM QUALITY PRODUCTS



WORLD GUTTER SYSTEMS® 2018 PRODUCT CATALOG

Div. Of Slate And Copper Sales Company®





CONTENTS

Order/Contact Information.ii
Introduction. 1

Gutter.2
Half-Round
Radius
Eclipse Millennium
Tiburon

End Caps.4
Hangers.5
Downspout Bracket Cover

Downspout. 9
Drop Outlets. 10
Copper Dryer Vent

Elbows. 12
Offsets
French Water Spout

Connectors. 14
Two-Way (Y)
Downspout Connectors
Gutter Connectors


Misc. 15
Downspout Reducers
Inline Cleanouts
Wire Strainers
Expansion Joints
Rain Chains

Miters.17
Downspout Brackets.18
Leader Heads. 20

Finials.23
Cupolas. 25
Dormer Vents.27
Window Dormers.28
Chimney Caps.29

Nails.31
Tools.33
Spec Drawing of Gutter System. 36
Examples.37
Product Codes.41

ORDER/ CONTACT INFORMATION



To order, simply call, and our sales staff will assist you however possible. We will walk you through your project from ordering to installation.

WORLD GUTTER SYSTEMS®
Div. of Slate And Copper Sales Company®
436 West 12th Street
Erie, Pa 16501

PH: 814-455-7430

FAX: 814-464-8838

www.slateandcopper.com

INTRODUCTION

Why Copper?

Copper was first used by man over 10,000 years ago. For nearly 5,000 years copper was the only metal known to mankind. Copper and its many alloys have played an important role in several civilizations, from the ancient Egyptians and Romans, to modern day cultures around the world.

The bright copper appearance lasts only a brief time in most conditions. Within several months, the surface darkens and remains that way until about the fifth year. The “Statue of Liberty” tint does not make its entrance until around the fifteenth year. This natural occurrence is called “*patina*”.

Initial color changes are based completely on weather exposure at the time of installation and can be quite drastic and varied. Radical color changes during this initial period can include pinks, oranges, reds, blues, greens, and purples. During continued exposure these colors fade and are replaced by a relatively uniform brown. In industrial and seacoast atmospheres, the natural green patina generally begins to form in five to seven years.

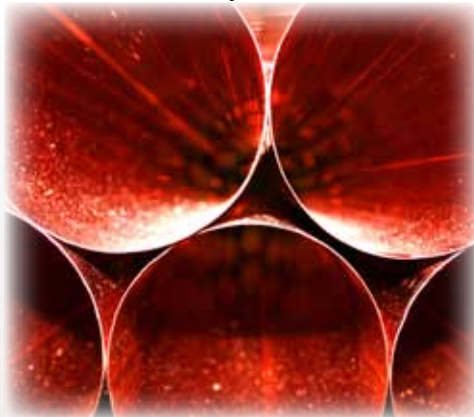
Quality, durability, and constantly changing beauty have made copper one of the most compelling metals in history. Around 40% of copper in use can be found in construction. The strength of copper makes it ideal for anything that is meant to last a lifetime and beyond.

Patina Copper Aging Chart



WORLD GUTTER SYSTEMS COPPER IS MADE FROM 99.9% PURE COPPER

Here at World Gutter Systems®, we provide high quality copper and well-crafted gutters, all with friendly, reliable service.



GUTTERS

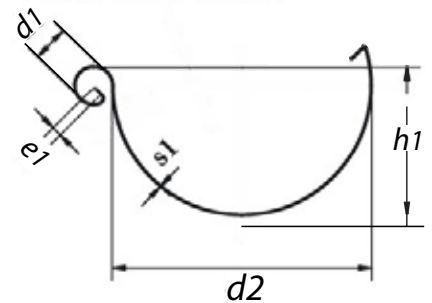
Half- Round Copper Gutter

- Available in 4, 5, 6, and 7.6 inch sizes
- Choose from 10, 18 and 20 foot lengths
- Comes in 16 oz., 18 oz., and 20 oz. material

size	ounce wt.	part#	e1	d1	d2	s1	h1	coil width
4"	18oz.	ED41818	0.28"	0.71"	4.13"	0.24"	2.812"	9.75"
5"	16oz.	ED51620	0.28"	0.71"	5.0"	0.21"	3.125"	11.01"
5"	18oz.	ED51818	0.28"	0.71"	5.0"	0.24"	3.125"	11.01"
5"	20oz.	ED52018	0.28"	0.71"	5.0"	0.27"	3.125"	11.01"
6"	16oz.	ED61620	0.35"	0.79"	6.02"	0.21"	3.687"	13.11"
6"	18oz.	ED61818	0.35"	0.79"	6.02"	0.24"	3.687"	13.11"
6"	20oz.	ED62018	0.35"	0.79"	6.02"	0.27"	3.687"	13.11"
7.6"	18oz.	ED761818	0.35"	0.79"	7.56"	0.24"	4.50"	15.75"
7.6"	20oz.	ED762018	0.35"	0.79"	7.56"	0.27"	4.50"	15.75"



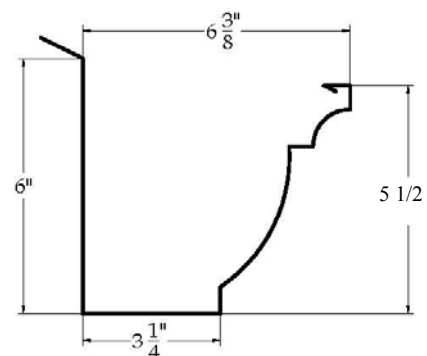
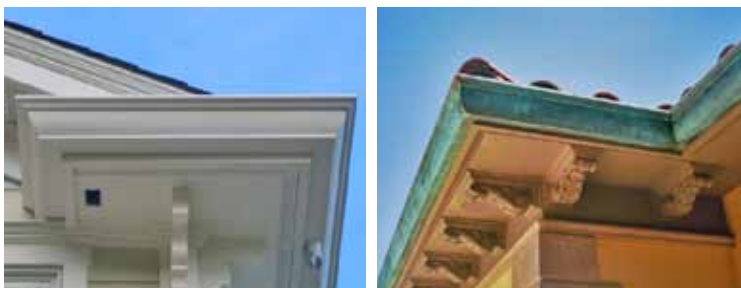
Gutter-cross-section



Eclipse Millennium® patented Copper Gutter

Pat. #US D454, 180 S

- Adds a rich, crown molding appearance to any structure
- Flush End Caps create a clean, finished look
- Designed for maximum water flow
- Fast Strap® assembly- install straps on the ground
- Over 6" across the top
- With no wing, back height is 7"
- Available in 20' lengths
- Available in 16 oz. and 20 oz. copper, bonderized and Kynar 500®



GUTTERS

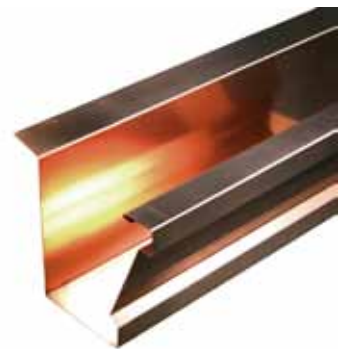
Radius Gutter

- Made custom for any radius
- Available in most gutter profiles and sizes

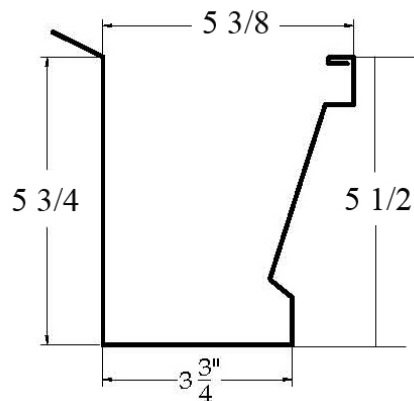


Tiburon Style Copper Gutter

- Comes in 20 foot lengths
- Produced in 16 oz. and 20 oz. copper, zinc, kynar, and bonderized
- Available with or without wing
- Custom sizes also available



Flush End Caps for Tiburon Gutter (information can be found on page 4)



END CAPS

Flat End Caps for Half-Round Gutters

- Made from 18 oz. copper
- Flat end caps come in lefts and rights
- Comes in 4, 5, 6, and 7.6 inch sizes

size	part#
4"	ED4ECL
5"	ED5ECL
6"	ED6ECL
7.6"	ED76ECL



Left End Cap

size	part#
4"	ED4ECR
5"	ED5ECR
6"	ED6ECR
7.6"	ED76ECR



Right End Cap

size	part#
5"	ED5ECU
6"	ED6ECU
7.6"	ED76ECU



Universal flat end cap

Flat End Caps for Solderless Installation

- Made from 18 oz. copper
- EPDM Rubber seal eliminates the need to solder.

size	part#
5"	ED5ECUR
6"	ED6ECUR



universal solderless end cap w/ EPDM seal

Spherical End Caps for Half-Round Gutters

- Made from 18 oz. copper
- Adds beautiful Old World European detail to your gutter

size	part#
4"	ED4S
5"	ED5S
6"	ED6S



Spherical End Cap Without Tabs



size	part#
4"	ED4ST
5"	ED5ST
6"	ED6ST
7.6"	ED76ST

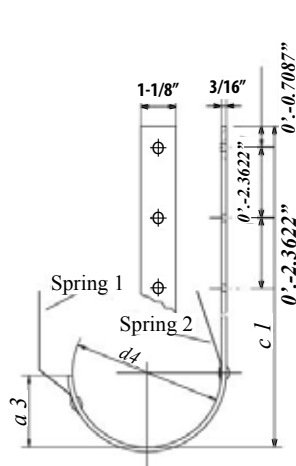


Spherical End Cap With Tabs (tabs aid installation)

HALF-ROUND GUTTER HANGERS

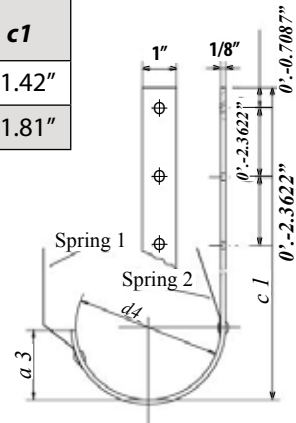
Heavy Duty Half-Round Roof Mounted Hanger w/ 2 Springs

size	part#	material thickness	material width	d4	a3	c1
4"	ED4HR	0.197"	1 1/8"	4.13"	1.97"	11.02"
5"	ED5HR	0.197"	1 1/8"	5.00"	2.40"	11.42"
6"	ED6HR	0.197"	1 1/8"	6.02"	2.91"	11.81"
7.6"	ED76HR	0.197"	1 1/8"	7.56"	3.66"	13.49"



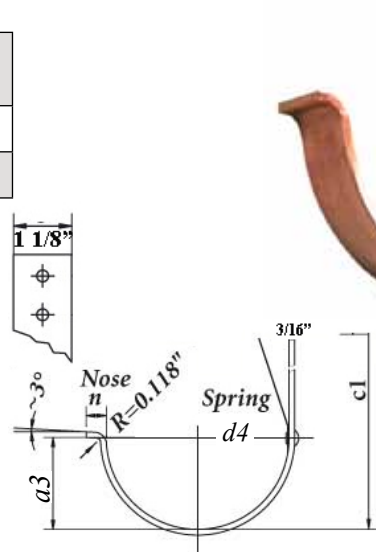
Standard Duty Half-Round Roof Mounted Hanger w/ 2 Springs

size	part#	material thickness	material width	d4	a3	c1
5"	ED5HRL	0.157"	1"	5.00"	2.40"	11.42"
6"	ED6HRL	0.157"	1"	6.02"	2.91"	11.81"



Heavy Duty Half-Round Fascia Hanger w/ Spring and Nose

size	part#	material thickness	material width	d4	a3	c1
5"	ED5HFN	0.197"	1 1/8"	5.00"	2.40"	7.42"
6"	ED6HFN	0.197"	1 1/8"	6.02"	2.91"	7.83"

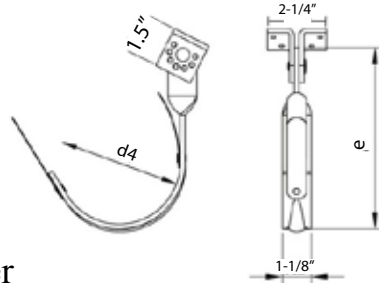


HALF-ROUND GUTTER HANGERS

PREMIUM QUALITY PRODUCTS

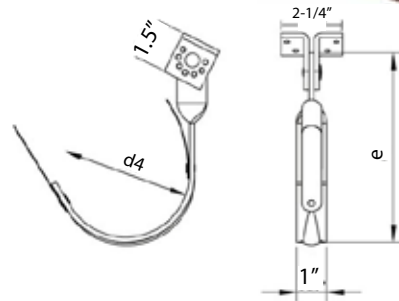
Heavy Duty Half-Round Adjustable Fascia Hanger

size	part#	material thickness	material width	d4	e
5"	ED5HFA	0.197"	1 1/8"	5.00"	7.42"
6"	ED6HFA	0.197"	1 1/8"	6.02"	7.83"



Standard Duty Half-Round Adjustable Fascia Hanger

size	part#	material thickness	material width	d4	e
5"	ED5HFAL	0.157"	1"	5.00"	7.42"
6"	ED6HFAL	0.157"	1"	6.02"	7.83"



Double Curled Half-Round Fascia Hanger

- Copper Plated Cast Brass

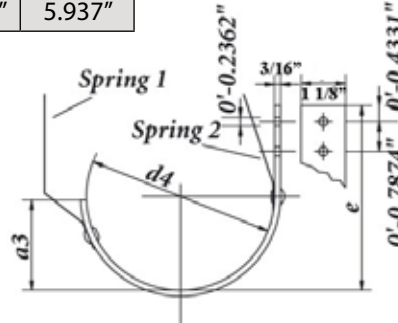
size	part#	material
6"	ED6HFB	copper plated cast brass
7.6"	ED76HFB	copper plated cast brass



GUTTER HANGERS

Heavy Duty Half-Round Fascia Hanger

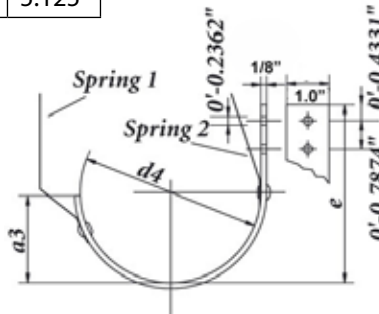
size	part#	material thickness	material width	d4	a3	e
4"	ED4HF	.0197"	1-1/8"	4.13"	2.00"	3.562"
5"	ED5HF	0.197"	1-1/8"	5.00"	2.26"	4.5625"
6"	ED6HF	0.197"	1-1/8"	6.02"	2.76"	5.126"
7.6"	ED76HF	0.197"	1-1/8"	7.56"	3.4375"	5.937"



Standard Duty Fascia Hanger

-Thinner, lighter and just as strong as the original fascia hanger

size	part#	material thickness	material width	d4	a3	e
4"	ED4HFL	0.157"	1.00"	4.13"	2.00"	3.562"
5"	ED5HFL	0.157"	1.00"	5.00"	2.26"	4.562"
6"	ED6HFL	0.157"	1.00"	6.02"	2.76"	5.125"

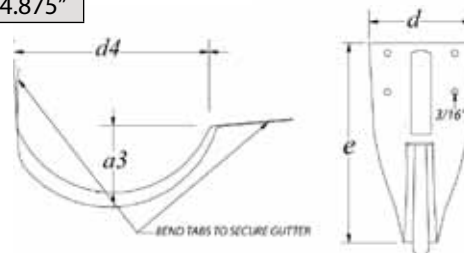


Stamped Copper Fascia Hanger

- Tabs fold over front and rear of gutter for easy installation.
- Deep center rib provides exceptional strength.
- Produced from 20.44oz. copper (.043")

size	part#	metal	a3	d	d4	e
5"	ED5HFS	copper	2.125"	3.125"	5"	4.750"
6"	ED6HFS	copper	2.625"	3.125"	6"	5.250"
6"	ED6HFSG	galvanized	2.625"	3.125"	6"	5.250"
6"	ED6HFSS	copper	2.375"	2.50"	6"	4.875"

*ED6HFSS fits shallower Berger Bro. profile, NOT Euro.



LEAF GUARDS & BRACKET COVERS

Copper Leaf Guard (Gutter Guard)

- Produced in 6' 6" sections from heavy 18oz. .024" copper and .040 Aluminum.
- Each section includes 3 clips which allow guard to fasten directly to front bead of the gutter

size	part#	metal	a	a1	hole dia.
5"	ED5GG	copper	5.250"	1.875"	3/8"
5"	EDA5GG	aluminum	5.250"	1.875"	3/8"
6"	ED6GG	copper	6.125"	1.875"	3/8"
6"	EDA6GG	aluminum	6.125"	1.875"	3/8"
7.6"	ED76GG	copper	7.750"	2.125"	3/8"



Leaf Guard for Radius Gutter

- Flexible mesh allows leaf guard to be inserted into any profile or curve
- Stops any debris from entering gutter
- Water flows through mesh without slowing water flow



Round Downspout Bracket Cover

- Made from 18 oz. copper, the downspout bracket cover completely hides the downspout bracket and adds a very finished look to your downspout. Available in 3" and 4" sizes.

size	part#
3"	ED3PC
4"	ED4PC

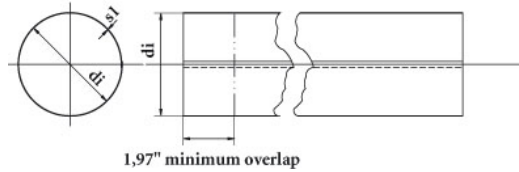


DOWNSPOUT

Round Downspout

- Available in 2 , 3, 4, 5, and 6” sizes, (6” has folded seam) all sold in 10 foot length.
- Flared end (hub) is far less noticeable than other copper downspout on the market.
- This design allows for a truly seamless downspout and cleaner looking installation.

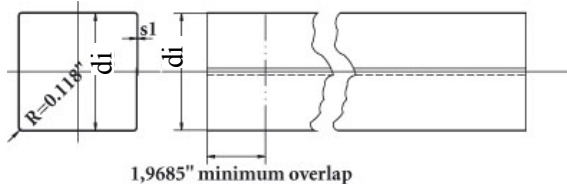
size	ounce wt.	part#	di
2”	16oz.	ED2DS16	2.25” / 60mm
2”	18oz.	ED3DS18	2.25” / 60mm
3”	16oz.	ED3DS16	3” / 76mm
3”	18oz.	ED5DS18	3” / 76mm
3”	20oz.	ED3DS20	3” / 76mm
4”	16oz.	ED4DS16	4” / 100mm
4”	18oz.	ED4DS18	4” / 100mm
4”	20oz.	ED4DS20	4” / 100mm
5”	18oz.	ED5DS18	4.7” / 120mm
5”	20oz.	ED5DS20	4.7” / 120mm
6”	18oz.	ED6DS18	6.0”



Square Downspout

- Available in 3x3” and 4x4”
- Sold in 10 foot lengths

size	part#	di
3”	ED3DS18SQ80	3.15”
4”	ED4DS18SQ100	4.0”



Commercial Heavy Duty Drive Pipe

- Made from heavy 66 oz. copper
- Comes in 3 foot lengths
- Available in 4 inch size.

size	part#	di
4”	ED4DS60W/C	4.0”

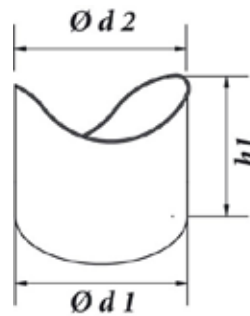


The Heavy Drive Pipe is used for areas where downspout is positioned near a high traffic area and susceptible to damage. The heavy material prevents dents and damage to your downspout.

PLAIN DROP OUTLETS

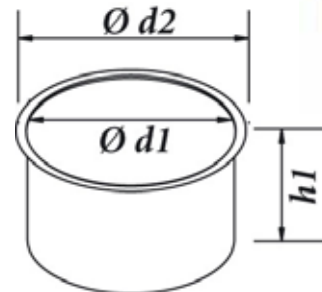
Plain Drop Outlet for Half-Round Gutter

size	part#	metal	d1	d2	h1
2"	ED2DROP	copper	2.25"	2.66"	2.30"
3"	ED3DROP	copper	3.0"	2.66"	2.93"
4"	ED4DROP	copper	4.0"	4.45"	3.03"
5"	ED5DROP	copper	4.7"	5.27"	3.5"
3"	EDZ3DROP	zinc	3.0"	2.66"	2.93"
4"	ED4DROP	zinc	4.0"	4.45"	3.03"



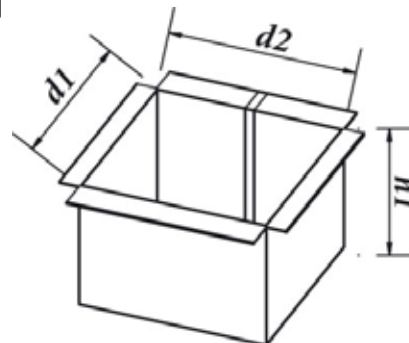
Plain Flat Drop Outlet

size	part#	metal	d1	d2	h1
2"	ED2DROPF	copper	2.25"	2.68"	1.87"
3"	ED3DROPF	copper	3.0"	3.28"	2.36"
4"	ED4DROPF	copper	4.0"	4.25"	2.36"
3"	EDZ3DROPF	zinc	3.0"	3.28"	2.36"
4"	EDZ4DROPF	zinc	4.0"	4.25"	2.36"



Plain Square Drop Outlet

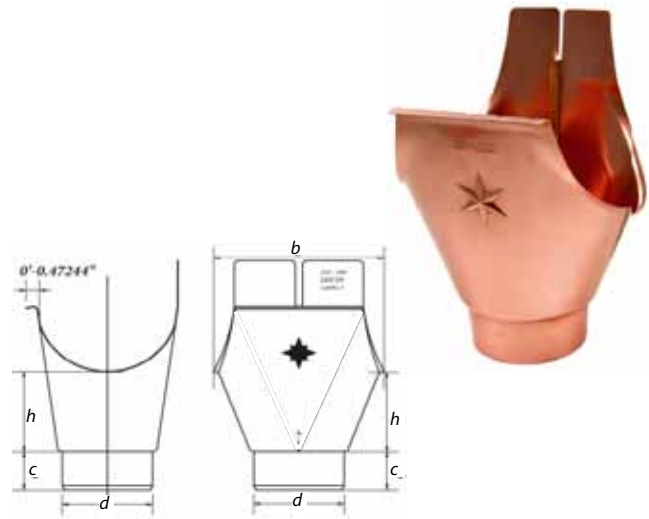
size	part#	d1	d2	h1
3"	ED3DROPFsq80	3.15"	3.15"	2.76"
4"	ED3DROPFsq100	4.0"	4.0"	3.31"



STAR DROP OUTLETS

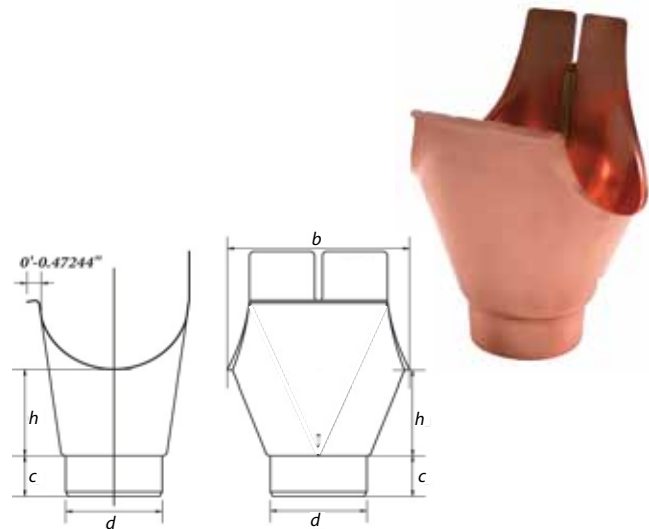
Star Outlet for Half-Round Gutter to Round Downspout

gutter size	downspout size	part#	d	b	h	c
4"	2.25"	ED42	2.25"	6.0"	3.12"	1.57"
4"	3.0"	ED43	3.0"	6.50"	3.12"	1.38"
5"	3.0"	ED53	3.0"	6.30"	4.0"	1.57"
5"	4.0"	ED54	4.0"	7.24"	2.87"	1.97"
6"	3.0"	ED63	3.0"	7.28"	4.75"	1.57"
6"	4.0"	ED64	4.0"	7.48"	3.75"	1.97"
6"	5.0"	ED65	5.0"	7.50"	3.50"	1.97"
7.6"	4.0"	ED764	4.0"	9.0"	5.0"	1.97"
7.6"	5.0"	ED765	4.7"	8.5"	3.50"	1.97"
7.6"	6.0"	ED766	6.0"	9.75"	4.37"	2.25"



Star Outlet for Half-Round Gutter to Round Downspout (No Logo)

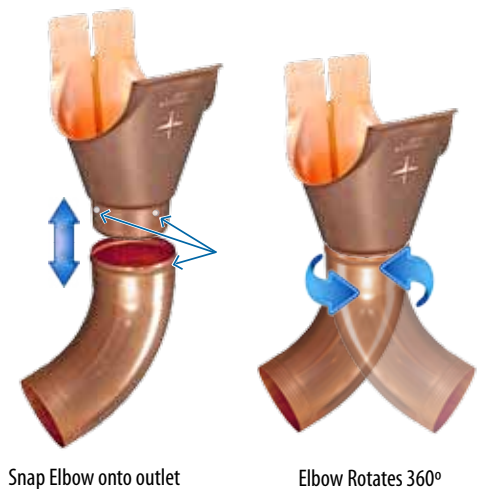
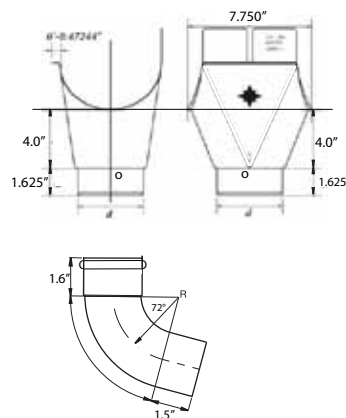
gutter size	downspout size	part#	d	b	h	c
5"	3.0"	ED53	3.0"	6.30"	3.15"	1.57"
5"	4.0"	ED54	4.0"	7.24"	2.95"	1.97"
6"	3.0"	ED63	3.0"	7.28"	3.54"	1.57"
6"	4.0"	ED64	4.0"	7.48"	3.54"	1.97"
7.6"	4.0"	ED764	4.0"	8.27"	4.13"	1.97"
7.6"	5.0"	ED765	4.7"	8.27"	4.13"	1.97"



3 Point-360° Swivel Outlet and Elbow Combo

- Snap on 3 Point attachment provides a very strong and very fast installation with 360° swivel rotation.
- No drilling, rivets or screws required.

gutter size	downspout size	part#
6"	4.0"	ED6472



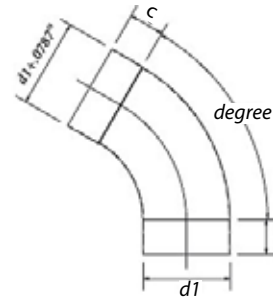
ELBOWS & OFFSETS

Seamless Elbows for Round Downspout

-produced from 18oz. Copper, Smooth, Round, Seamless. (6" has seam)

size	degree	part#	d1	c
2"	40°	ED240	2.25"	1.5"
2"	72°	ED272	2.25"	1.5"
2"	85°	ED285	2.25"	1.5"
3"	40°	ED340	3.0"	1.5"
3"	60°	ED360	3.0"	1.5"
3"	72°	ED372	3.0"	1.5"
3"	85°	ED385	3.0"	1.5"
4"	40°	ED440	4.0"	1.5"
4"	60°	ED460	4.0"	1.5"
4"	72°	ED472	4.0"	1.5"
4"	85°	ED485	4.0"	1.5"

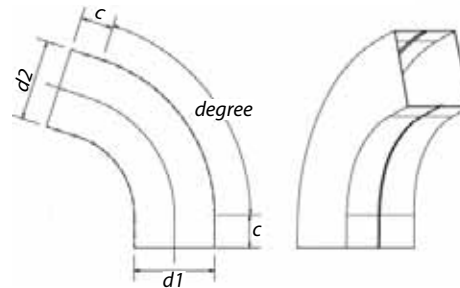
size	degree	part#	d1	c
5"	40°	ED540	4.7"	1.625"
5"	72°	ED572	4.7"	1.625"
6"	72°	ED672	6.0"	1.625"



Elbows for Square Downspout

-Available in 72, degree angle only
-3x3 and 4x4 inch sizes

size	part#	d1	d2	h1
3"	ED372SQ100	3.15"	3.15"	1.18"
4"	ED472SQ100	4.0"	4.0"	1.57"



Extension Elbows- Two Piece Adjustable Connection of Gutter and Downspout

size	telescopic range	part#
3"	12" to 15-3/4"	ED372EXTS
3"	13-3/4" to 19-3/4"	ED372EXTM
3"	19-3/4" to 27-1/2"	ED372EXTL
3"	27-1/2" to 43-1/4"	ED372EXTXL
3"	43-1/4" to 72"	ED372EXTXXL
4"	19" to 27"	ED472EXTL
4"	27" to 43"	ED472EXTXL
4"	43" to 72"	ED472EXTXXL

Extension Elbows connect the gutter and downspout using only two pieces, eliminating the need for cutting and fitting a piece of pipe between elbows. Offers the fastest connection of gutter and downspout.

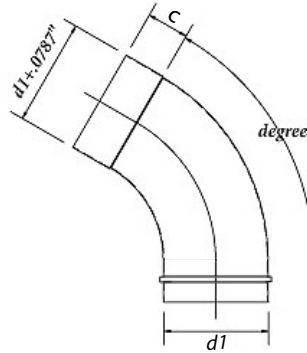


ELBOWS & OFFSETS

Reinforced Beaded Elbow

- Available in 72 degrees only
- 3 and 4 inch pipe sizes
- Used for ground level water outlet in high traffic areas

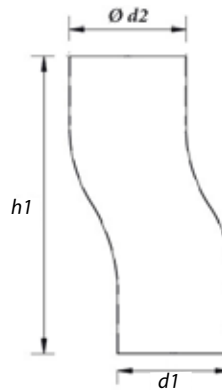
size	part#	d1	c
3"	ED372B	3.0"	3.15"
4"	ED472B	4.0"	4.0"



Offset for Round Downspout

- Available in 3, 4, and 5 inch pipe sizes
- 2 inch and 4 inch of offset available

pipe size	offset	part#	d1	h1
3"	2"	ED3OS2	3.0"	9.375"
3"	4"	ED3OS4	4.0"	10.5"
4"	2"	ED4OS2	4.0"	10.5"
4"	4"	ED4OS4	4.0"	10.5"
5"	2"	ED5OS2	4.7"	11.125"



French Water Spout

- Available in 2, 3, 4 and 5 inch sizes
- Used for ground level water outlet

size	part#
3"	ED3SPOUT
4"	ED4SPOUT
5"	ED5SPOUT

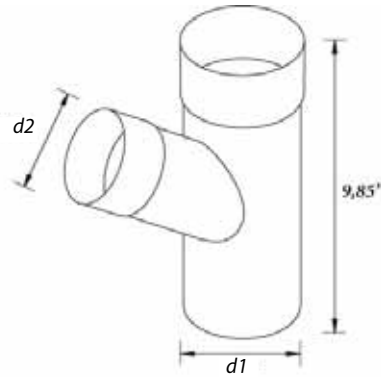


CONNECTORS

Two-Way Connector (“Y”) for Round Downspout

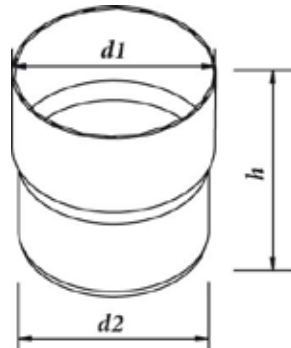
- Two Way (“Y”) Connector is available in 72 degrees

size	part#	d1	d2
3"	ED3Y	3.0"	3.0"
4"	ED4Y	4.0"	4.0"
4"	ED43Y	4.0"	3.0"
5"	ED5Y	4.7"	4.7"



Connector for Round Downspout

size	part#	d1	d2	h
2"	ED2CON	2.25"	2.21"	4.33"
3"	ED3CON	3.0"	2.85"	4.33"
4"	ED4CON	4.0"	3.62"	4.33"
5"	ED5CON	4.7"	4.53"	4.33"



Half-Round Gutter Connector for Solderless Installation

- Available in 4 inch, 5 inch and 6 inch gutter sizes.

Used to easily and securely connect two pieces of overlapped gutter. Rubber membrane prevents any leaking from between pieces of gutter.

gutter size	part#
4"	ED4GC
5"	ED5GC
6"	ED6GC



REDUCERS, CLEANOUTS

Round Downspout Reducers

Downspout Reducers are used to connect smaller downspout to leaders and drop outlets made for a larger size. Available in 3" to 2", 4" to 3", and 5" to 4" sizes.

<i>downspout size</i>	<i>part#</i>
3.0" to 2.25"	ED32REDUC
4.0" to 3.0"	ED43REDUC
4.7" to 4.0"	ED54REDUC



Sliding Pipe

- Made from 18 oz. copper
- Available in 4"
- Stainless Steel basket included.

<i>downspout size</i>	<i>part#</i>
4.0"	ED4DSSP

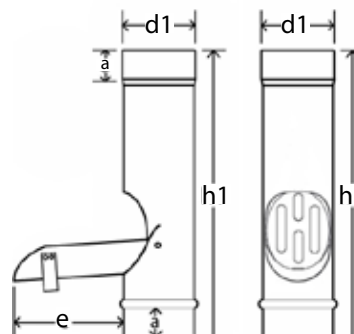


Inline Cleanout & Water Diverter

- Available in sizes 2, 3, 4, and 5 inch sizes
- Inline Cleanout has a trap door that can be opened to easily remove leaves and debris

<i>Size</i>	<i>part#</i>	<i>d1</i>	<i>h1</i>	<i>a</i>	<i>e</i>
*2"	ED2INC	2.25"	13.00"	1.75"	5.25"
3"	ED3INC	3.0"	15.75"	2.00"	5.00"
4"	ED4INC	4.0"	15.75"	2.00"	5.00"
5"	ED5INC	4.7"	15.50"	1.75"	6.75"

*2 inch size acts as water diverter only, it has NO internal sieve.

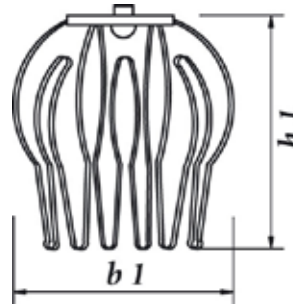


STRAINERS, EXPANSION JOINTS, RAIN CHAINS

Copper Wire Strainers

-Made from heavy, 10 gauge wire.

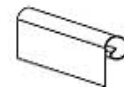
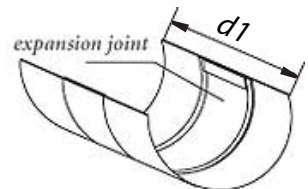
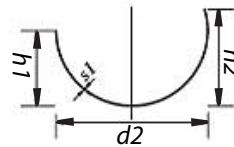
Size	part#	b1	h1	gauge
2"	ED2WS	3.2"	3.20"	10
3"	ED3WS	3.5"	3.25"	10
4"	ED4WS	4.5"	4.20"	10
5"	ED5WS	5.5"	4.70"	9



Half-Round Expansion Joint

- Available in 5, 6, and 7.6 inch sizes
 -Metal expands and contracts as temperatures change, so Expansion Joints for half-round gutters are an essential for any gutter system. It is recommended that an expansion joint be placed for every 50' of gutter.

Size	part#	d2	d1	h1	h2
5"	ED5EXP	5.0"	11.81"	2.52"	2.91"
6"	ED6EXP	6.02"	11.81"	3.03"	3.43"
7.6"	ED76EXP	7.56"	11.81"	3.78"	3.91"



Rain Chains

Artistic and functional replacement for traditional downpipe.
 Styles include (from left to right)
 Lilies, Round Cup, Square Cup, Fluted Cup, and Link Style.
 More styles available on our website.
 Sold in 10' sections

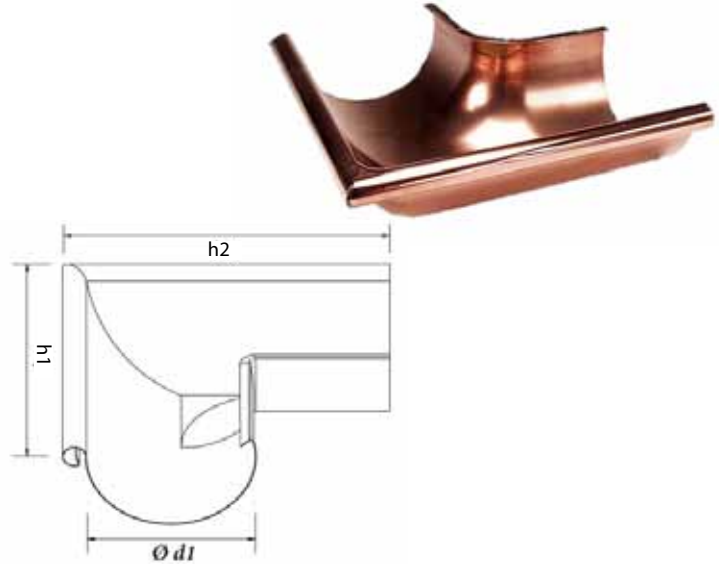


MITERS

Outside 90 Degree Half-Round Miter

-produced from 18oz. Copper.

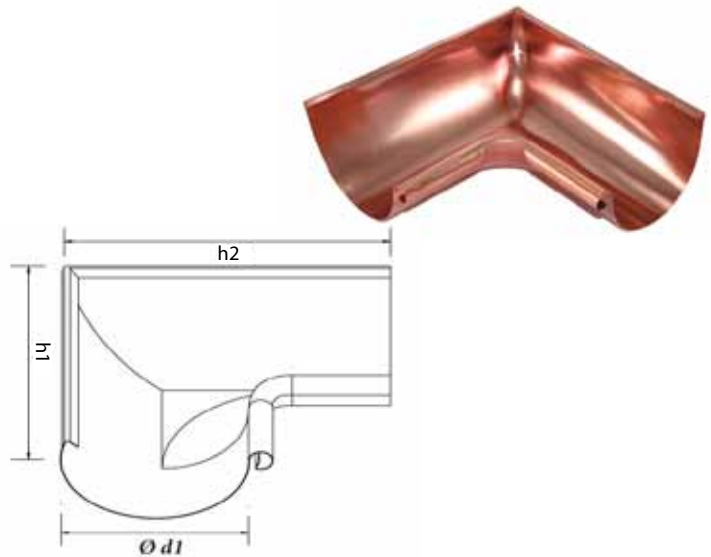
Size	part#	d1	h1	h2
4"	ED4MOUT	4.13	11.8"	11.8"
5"	ED5MOUT	5.0"	11.8"	11.8"
6"	ED6MOUT	6.02"	11.8"	11.8"
7.6"	ED76MOUT	7.56"	12.6"	12.6"



Inside 90 Degree Half-Round Miters

-produced from 18oz. Copper.

Size	part#	d1	h1	h2
4"	ED4MIN	4.13	10.63"	10.63"
5"	ED5MIN	5.0"	11.8"	11.8"
6"	ED6MIN	6.02"	11.8"	11.8"
7.6"	ED76MIN	7.56"	12.6"	12.6"



Custom Angle Miters

- Custom miters can be made to fit any angle
- Available in all gutter sizes and profiles

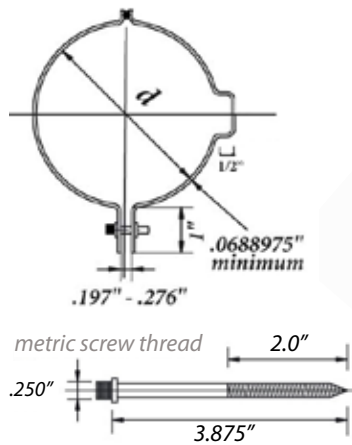


BRACKETS

Downspout Bracket for Round Downspout

-Available in 2, 3, 4, 5 and 6 inch sizes

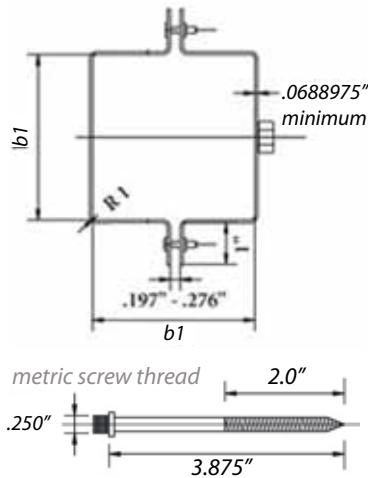
size	part#	metal	d
2"	ED2DSB	copper	2.25"
3"	ED3DSB	copper	3.0"
4"	ED4DSB	copper	4.0"
5"	ED5DSB	copper	4.7"
6"	ED6DSB	copper	6.0"
3"	EDZ3DSB	zinc	3.0"
4"	EDZ4DSB	zinc	4.0"
5"	EDZ5DSB	zinc	4.7"
3"	ED3DSBG76	galvanized	3.0"
3"	ED3DSBG80	galvanized	3.125"
4"	ED4DSBG	galvanized	4.0"



Downspout Brackets for Square Downspout

-Available in 3x3 and 4x4 inch

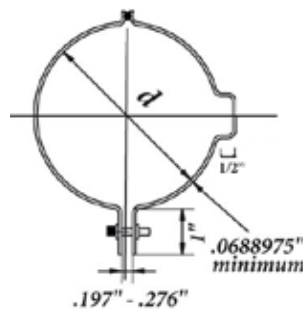
size	part#	b1
3"	ED3DSBSQ80	3.125"
4"	ED4DSBSQ100	3.937"



Half-Round Downspout Bracket with Nail

-Available for 4 inch pipe only

size	part#	d	nail length
4"	ED4DSBN140	4.0"	5.50"
4"	ED4DSBN200	4.0"	7.875"



BRACKETS

Fleur De Lis Downspout Bracket

- Copper Plated Cast Brass
- Available in 3 and 4 inch sizes
- 4 inch bracket weighs 3 pounds
- 3 inch bracket weighs 2 pounds

<i>pipe size</i>	<i>part#</i>
3"	ED3DSBF
4"	ED4DSBF



Moderne Style Downspout Bracket

- Copper Plated Cast Brass
- Available in 3 and 4 inch sizes

<i>pipe size</i>	<i>part#</i>
3"	ED3DSBM
4"	ED4DSBM



Downspout Strap-Stamped

<i>pipe size</i>	<i>part#</i>
2.25"	ED2DSBS
3"	ED3DSBS
4"	ED4DSBS



LEADER HEADS

Lawrence Style Leader Heads

8" width x 13.25" height x 8.75" depth



Wolford Style Leader Head

Available in the following dimensions:

-8.5" width x 10.5" height x 5" depth

-12.75" width x 15" height x 8" depth

-17" width x 21" height x 10" depth



Standard Style Leader Head

Available in the following dimensions:

-11" width x 9" height x 7" depth

-14" width x 13.5" height x 9" depth

-18" width x 17" height x 11" depth



LEADER HEADS

Rembrandt Style Leader Head

16" width x 12" height x 8 1/2" projection



Van Gogh Style Leader Head

Available in the following dimensions:

12" width x 12 1/2" height x 8" projection

15 1/4" width x 15 1/2" height x 10 1/2" projection



Moreau Style Leader Head

13" width x 13" height x 9" projection



LEADER HEADS

PREMIUM QUALITY PRODUCTS

Cezanne Style Leader Head

Available in the following dimensions:

8.5" width x 7.25" height x 5" projection

12.5" width x 9.75" height x 8.25" projection

16" width x 13" height x 9.5" projection



Bellini Style Leader Head

Available in the following dimensions:

15" width x 12" height x 7.75" projection

23" width x 18.5" height x 11.75" projection



Matisse Style Leader Head

14" width x 16" height x 9" projection



FINIALS

Ball & Spike Finial

Available in 14", 18", 22", and 32" height



Gamberi Finial

Available in 36" and 48" height



Lancut Finial

Available in 24", 32", 48", and 72" height



FINIALS

Scroll Finial

Available in 18", 24", 36", 48", and 60" height



Tall Spike Finial

Available in 42" and 54" height



Pineapple Finial

Available in 20", 30", and 42" height



CUPOLAS

The Bombay

Available in 18"x 18" base, 24"x 24" base, 30"x 30" base, and 36"x 36" base



The Brittany

Available in 18"x 18" base, 24"x 24" base, 30"x 30" base, and 36"x 36" base



The Duley

Available in 18"x 18" base, 24"x 24" base, 30"x 30" base, and 36"x 36" base



CUPOLAS

The Light House

Available in 18" x 18" base, 24" x 24" base, 30" x 30" base, and 36" x 36" base



The New Haven

Available in 18" x 18" base, 24" x 24" base, 30" x 30" base, and 36" x 36" base



The Providence

Available in 18" x 18" base, 24" x 24" base, 30" x 30" base, and 36" x 36" base



DORMER VENTS

Tall Half-Round Vent

Available in the following dimensions:

18" width x 27" height

24" width x 36" height

30" width x 45" height



Winged Vent

Available in the following dimensions:

18" width x 9" height

24" width x 12" height

30" width x 15" height

36" width x 18" height



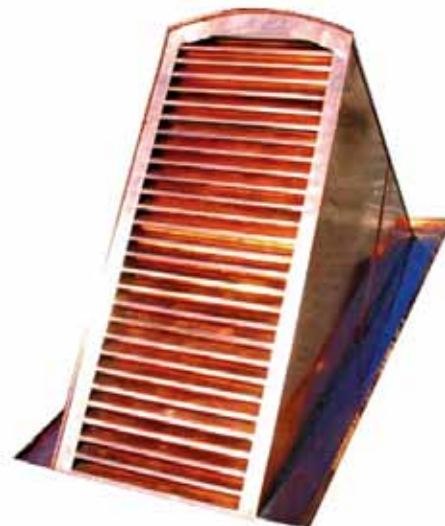
Arch Top Vent

Available in the following dimensions:

18" width x 27" height

24" width x 36" height

30" width x 45" height



WINDOW DORMERS

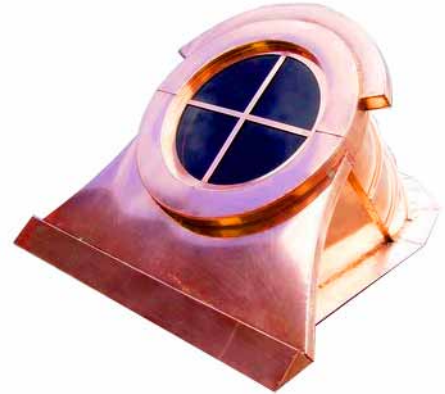
Marque Style

Available in the following dimensions:

24" width, 12" window

36" width, 18" window

48" width, 32" window



Montpellier Style

Available in the following dimensions:

20" width, 12" window

40" width, 24" window

60" width, 36" window



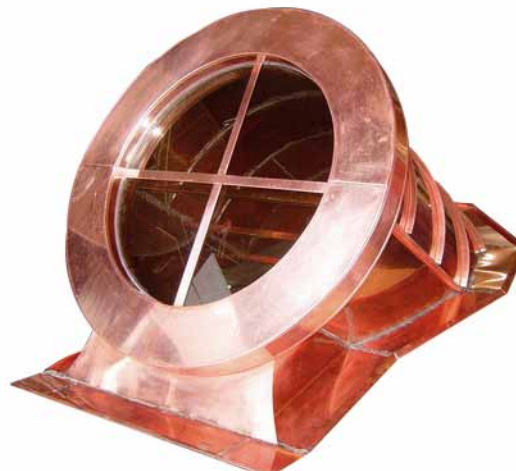
Venetian Style

Available in the following dimensions:

24" width, 18" window

36" width, 24" window

48" width, 32" window



CHIMNEY CAPS

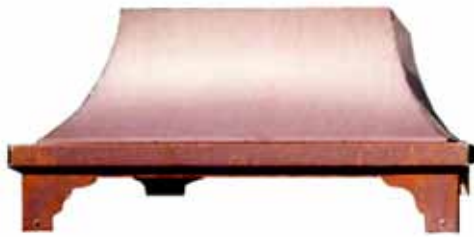
The Patz

Available sizes range from 4' to 10'



Low-Profile Patz

Available sizes range from 4' to 10'



The Classic

Available sizes range from 4' to 10'



CHIMNEY CAPS

Conastoga

Available sizes range from 4' to 10'



The Donley

Available sizes range from 4' to 10'



The Capistrano

Available sizes range from 4' to 10'



NAILS

Copper Clench Nails

-Sold in 4, 8, and 16 oz. boxes

-Available in:

- 1 1/2" x 3/32"
- 1 1/4" x 3/32"
- 1 1/8" x 3/32"
- 1 7/8" x 3/32"
- 1" x 1/16"
- 3/4" x 1/16"
- 5/8" x 1/16"
- 7/8" x 1/16"



Copper Cut Tacks

-Sold in 4, 8, and 16 oz. boxes

-Available in:

- 1/2" length
- 1/4" length
- 3/4" length
- 3/8" length
- 5/8" length
- 7/16" length
- 7/8" length



Copper Countersunk Flathead Boat Nails

-Sold in 1.1 lb. and 2.2 lb. boxes

-Available in:

- | | |
|-----------------|----------------|
| 3/4" x 14 Ga. | 3" x 10 Ga. |
| 1" x 14 Ga. | 3 1/2" x 8 Ga. |
| 1 1/4" x 13 Ga. | 4" x 8 Ga. |
| 1 1/2" x 12 Ga. | 5" x 6 Ga. |
| 1 3/4" x 11 Ga. | 6" x 6 Ga. |
| 1 3/4" x 10 Ga. | 6" x 4 Ga. |
| 2" x 11 Ga. | |
| 2" x 10 Ga. | |



NAILS

Rose Head Copper Boat Nails

-Available in:	1 1/2" x 3 mm	3" x 4 mm
3/4" x 2 mm	1 1/2" x 3.5 mm	3 1/2" x 4 mm
3/4" x 2.5 mm	1 3/4 x 3 mm	4" x 4 mm
1" x 2 mm	1 3/4" x 3.5 mm	4" x 4.5 mm
1" x 2.5 mm	1 3/4" x 4 mm	5" x 5 mm
1 1/4" x 2 mm	2" x 3 mm	
1 1/4" x 2.5 mm	2" x 3.5mm	
1 1/4" x 3 mm	2" x 4 mm	
1 1/4" x 3.5 mm	3" x 3 mm	
1 1/2" x 2.5 mm	3" x 3.5 mm	



Copper Threaded Nails

-Available in:
1 1/4" x 12 Ga.
1 3/4" x 12 Ga.
2 1/4" x 11 Ga.



Copper Roves

-Available in:
5/16"
3/8"
7/16"
1/2"
5/8"
3/4"



TOOLS

Copper Patina for Solder

-8 oz. bottle



Copper Shield

-Formulated to protect and preserve copper, brass, and bronze



Lubricating Spray

-Aluma-Wax spray for lubricating metal cutting blades



TOOLS

Solder Iron Kit

PREMIUM QUALITY PRODUCTS

Professional, heavy duty soldering iron



Bending Tool for Roof Mount Hangers



TOOLS

Metal Polish

- Weimans Metal Polish works for all metals
- 8 oz. bottle



Gel Flux

- For soldering copper, lead, and zinc
- 8 oz. bottle

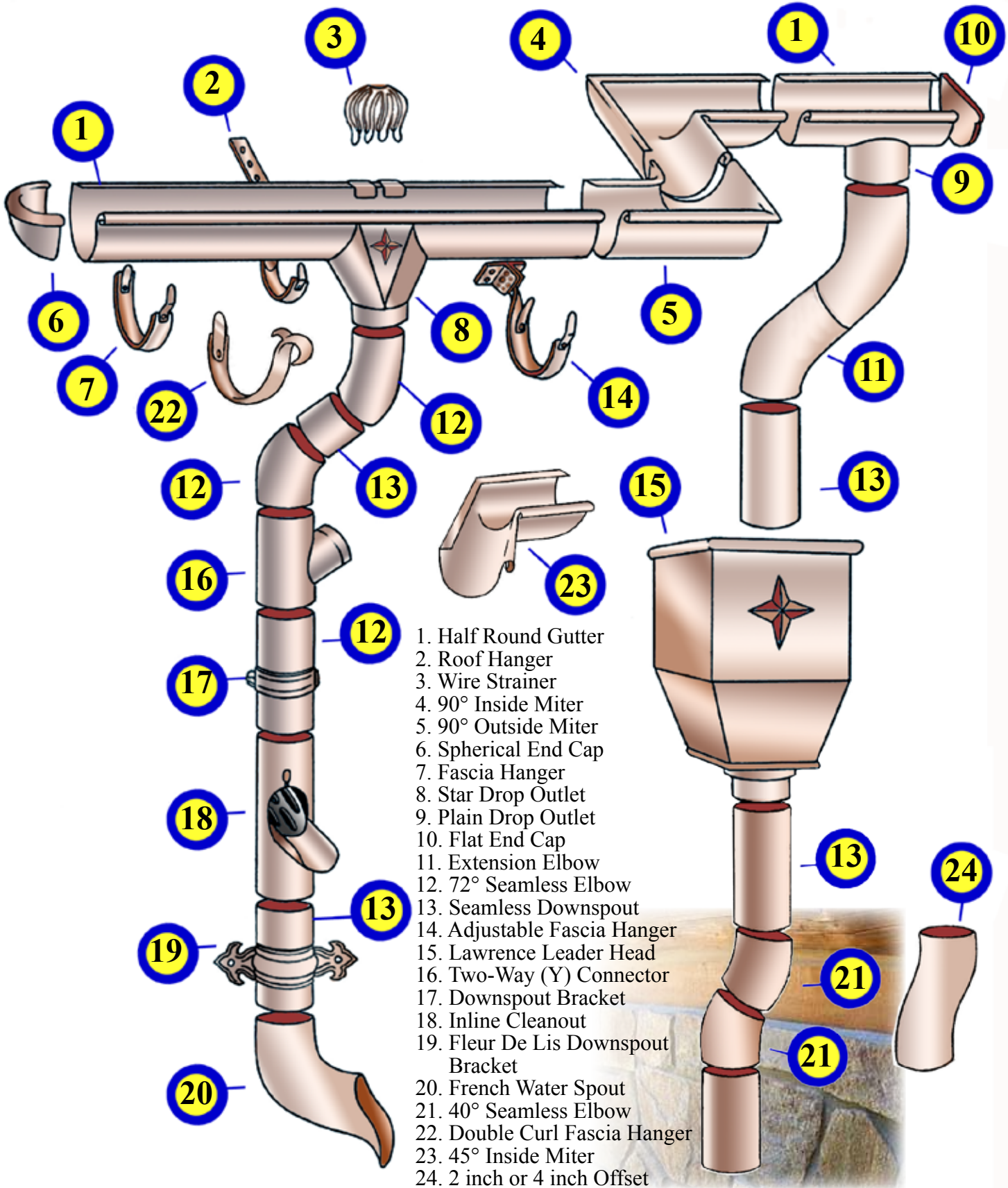


Tinning Block

- Sal Ammoniac Tinning block cleans and tins soldering iron
- 8 oz.



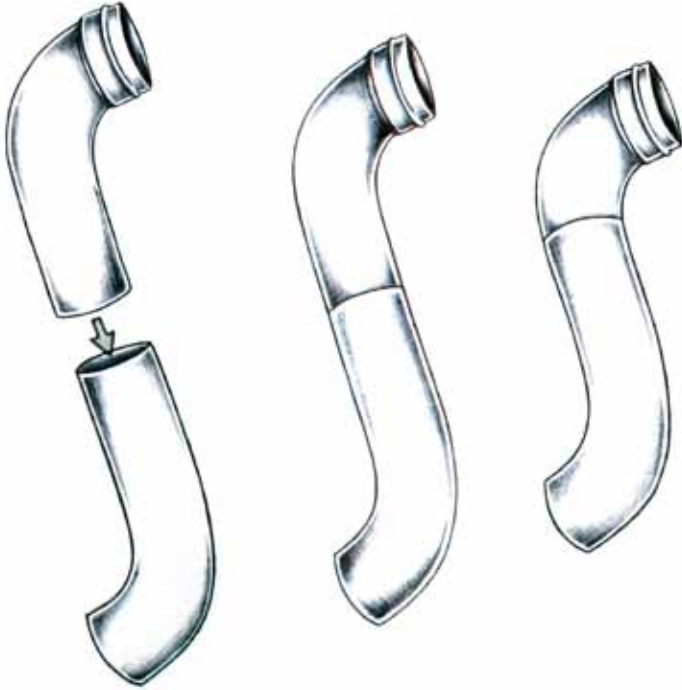
SPEC DRAWING OF GUTTER SYSTEM



1. Half Round Gutter
2. Roof Hanger
3. Wire Strainer
4. 90° Inside Miter
5. 90° Outside Miter
6. Spherical End Cap
7. Fascia Hanger
8. Star Drop Outlet
9. Plain Drop Outlet
10. Flat End Cap
11. Extension Elbow
12. 72° Seamless Elbow
13. Seamless Downspout
14. Adjustable Fascia Hanger
15. Lawrence Leader Head
16. Two-Way (Y) Connector
17. Downspout Bracket
18. Inline Cleanout
19. Fleur De Lis Downspout Bracket
20. French Water Spout
21. 40° Seamless Elbow
22. Double Curl Fascia Hanger
23. 45° Inside Miter
24. 2 inch or 4 inch Offset

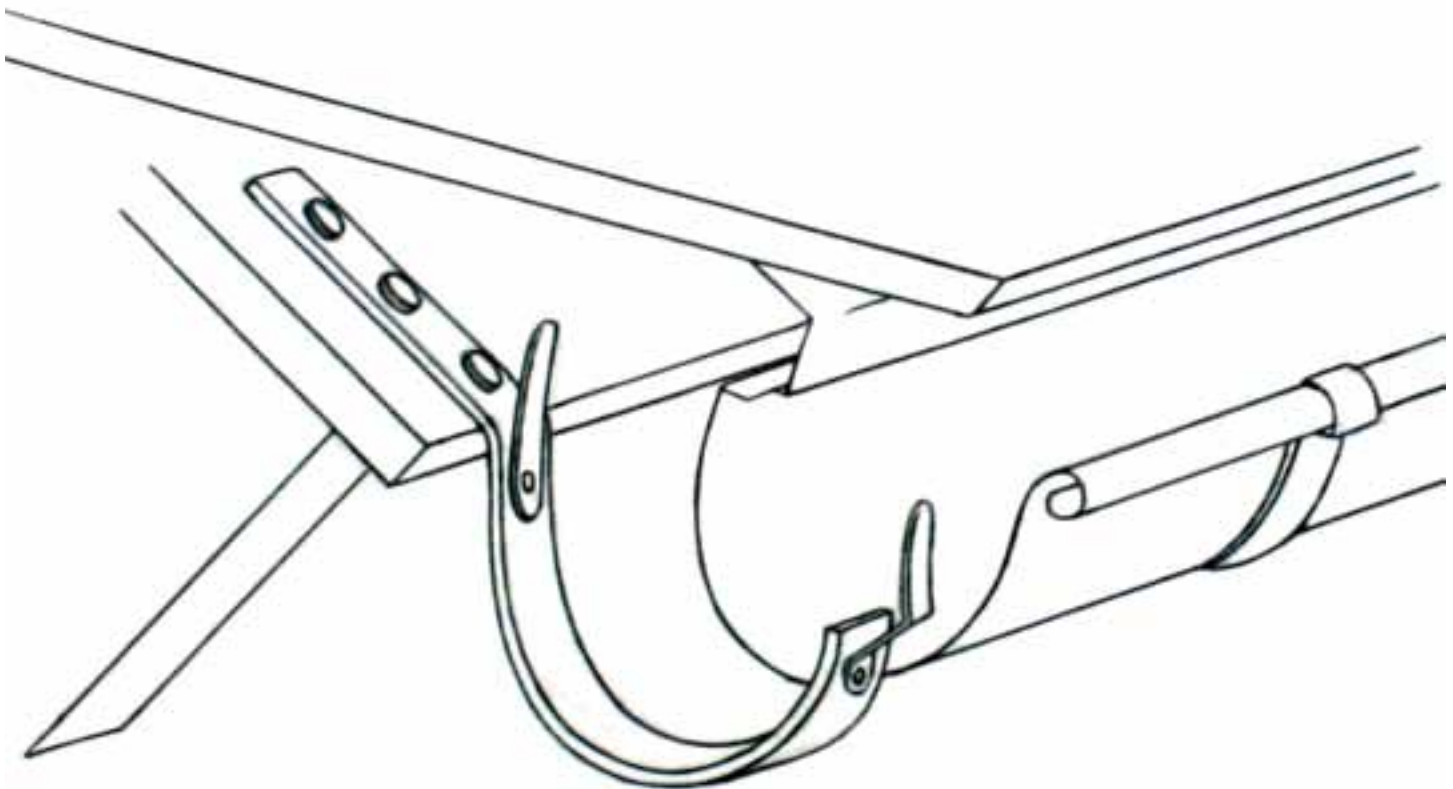
EXAMPLES

EXTENSION ELBOW



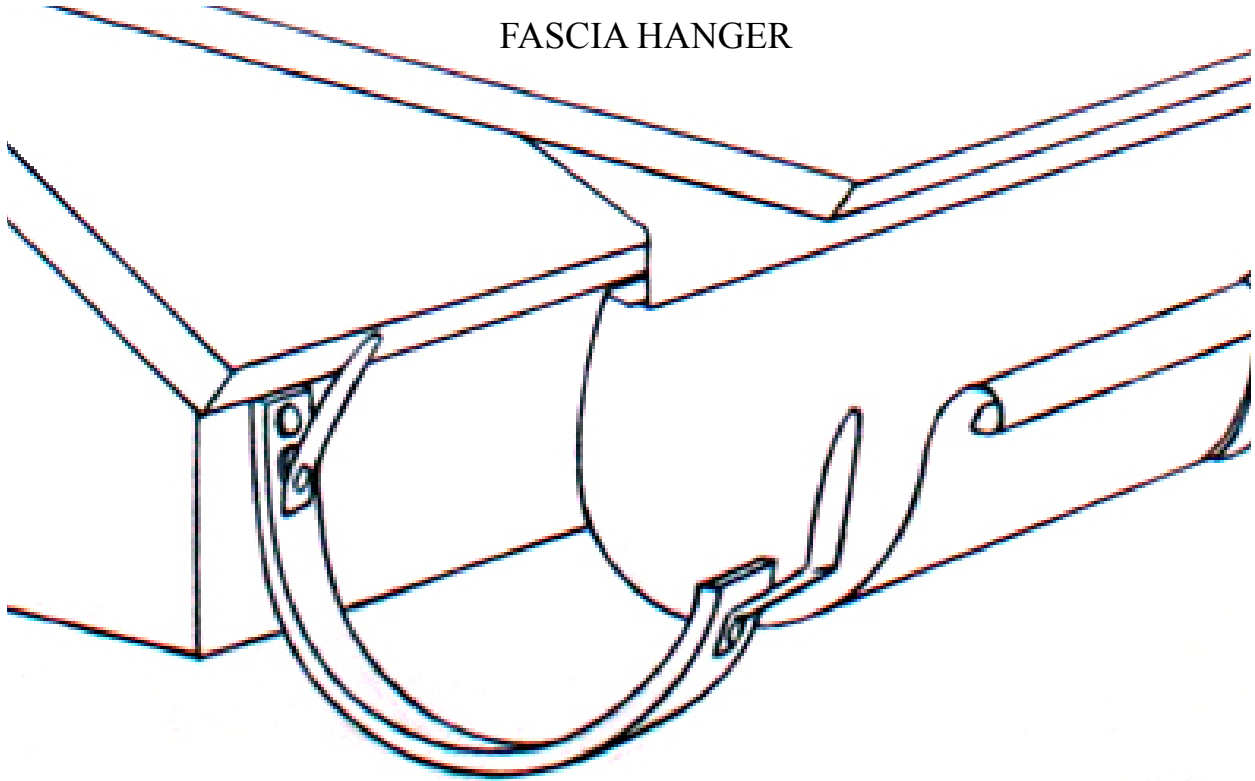
The Extension Elbow is made up of two conjoining elbows. The length between the elbows is adjustable, eliminating the need for cutting and fitting a piece of downspout between the elbows to create the needed length.

ROOF HANGER

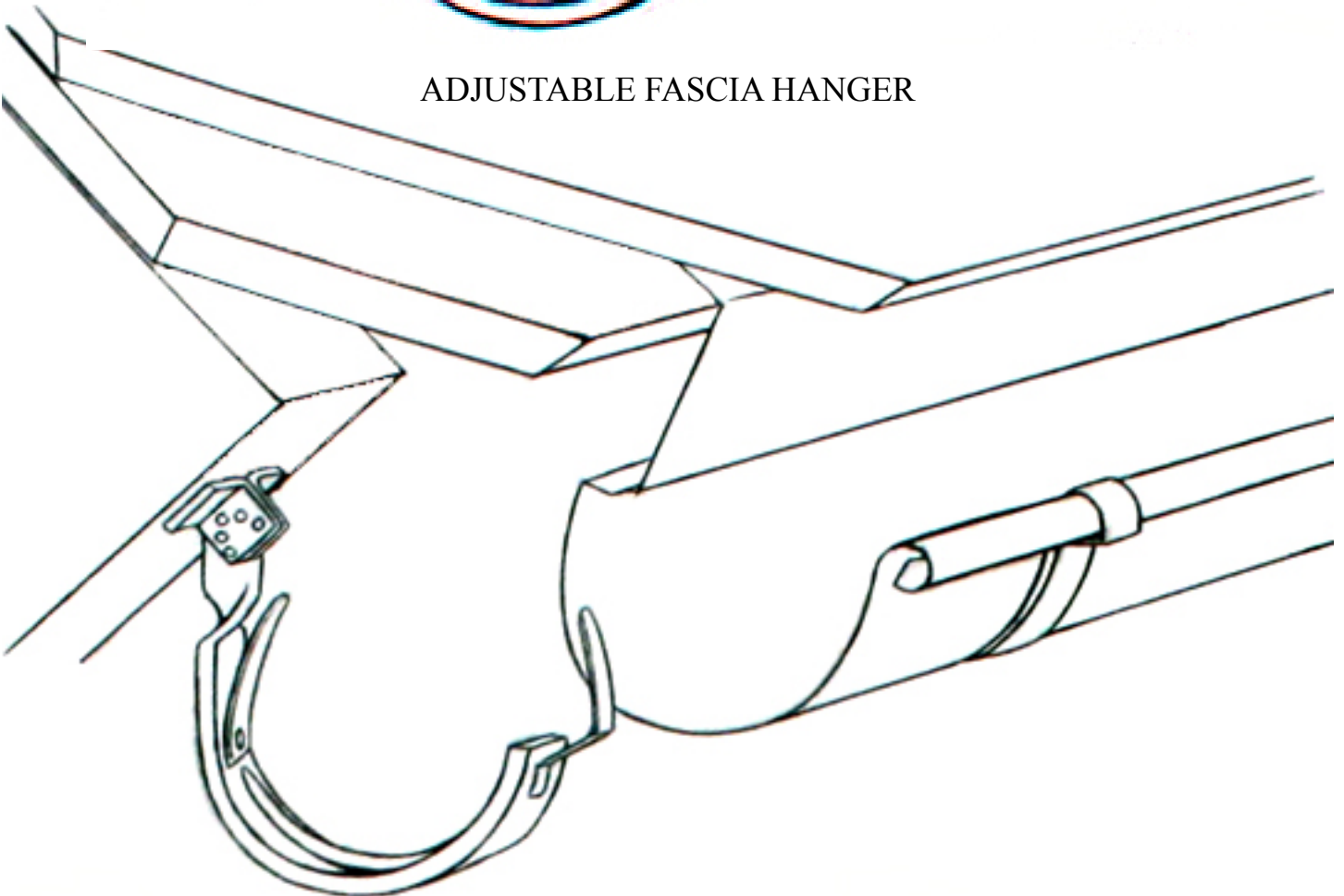


EXAMPLES

FASCIA HANGER



ADJUSTABLE FASCIA HANGER



EXAMPLES OF INSTALLATION



Images courtesy of Two Brothers Seamless Gutters, Kapaa, Hawaii

EXAMPLES OF INSTALLATION





PRODUCT CODES- GUTTER, DOWNSPOUT, END CAPS

HALF ROUND COPPER GUTTER:

4 INCH:

- 18 OZ. 10 FOOT LENGTH- ED41810
- 18 OZ. 18 FOOT LENGTH- ED41818

5 INCH:

- 16 OZ. 10 FOOT LENGTH- ED51610
- 16 OZ. 20 FOOT LENGTH- ED51620
- 18 OZ. 10 FOOT LENGTH- ED51810
- 18 OZ. 18 FOOT LENGTH- ED51818
- 20 OZ. 10 FOOT LENGTH- ED52010
- 20 OZ. 18 FOOT LENGTH- ED52018

6 INCH:

- 16 OZ. 10 FOOT LENGTH- ED61610
- 16 OZ. 20 FOOT LENGTH- ED61620
- 18 OZ. 10 FOOT LENGTH- ED61810
- 18 OZ. 18 FOOT LENGTH- ED61818
- 20 OZ. 10 FOOT LENGTH- ED62010
- 20 OZ. 18 FOOT LENGTH- ED62018

7.6 INCH:

- 18 OZ. 10 FOOT LENGTH- ED71810
- 18 OZ. 18 FOOT LENGTH- ED71818
- 20 OZ. 10 FOOT LENGTH- ED72010
- 20 OZ. 18 FOOT LENGTH- ED72018

SEAMLESS ROUND DOWNSPOUT:

2 INCH:

- 16 OZ. 10 FOOT- ED2DS16
- 18 OZ. 10 FOOT- ED2DS18

3 INCH:

- 16 OZ. 10 FOOT- ED3DS16
- 18 OZ. 10 FOOT- ED3DS18
- 20 OZ. 10 FOOT- ED3DS20

4 INCH:

- 16 OZ. 10 FOOT- ED4DS16
- 18 OZ. 10 FOOT- ED4DS18
- 20 OZ. 10 FOOT- ED4DS20

5 INCH:

- 18 OZ. 10 FOOT- ED5DS18
- 20 OZ. 10 FOOT- ED5DS20

6 INCH:

- 18 OZ. 10 FOOT- ED6DS18

SQUARE DOWNSPOUT:

- 3x3" 18 OZ. 10 FOOT- ED3DS18SQ80
- 3x3" 20 OZ. 10 FOOT- ED3DS20SQ100
- 4x4" 18 OZ. 10 FOOT- ED4DS18SQ80
- 4x4" 20 OZ. 10 FOOT- ED4DS20SQ100

END CAPS:

4 INCH:

- FLAT END CAP LEFT- ED4ECL
- FLAT END CAP RIGHT- ED4ECR
- UNIVERSAL END CAP- ED4ECU
- SPHERICAL END CAP- ED4S

5 INCH:

- FLAT END CAP LEFT- ED5ECL
- FLAT END CAP RIGHT- ED5ECR
- UNIVERSAL END CAP- ED5ECU
- SPHERICAL END CAP- ED5S

6 INCH:

- FLAT END CAP LEFT- ED6ECL
- FLAT END CAP RIGHT- ED6ECR
- UNIVERSAL END CAP- ED6ECU
- SPHERICAL END CAP- ED6S

7.6 INCH:

- FLAT END CAP LEFT- ED7ECL
- FLAT END CAP RIGHT- ED7ECR
- UNIVERSAL END CAP- ED7ECU
- SPHERICAL END CAP- ED7S



PREMIUM QUALITY PRODUCTS

PRODUCT CODES-HANGERS, OUTLETS, ELBOWS, OFFSETS

HANGERS:

4 INCH:

ROOF STYLE HANGER- ED4HR
FASCIA HANGER- ED4HF

5 INCH:

ROOF STYLE HANGER- ED5HR
FASCIA HANGER- ED5HF
NOSE TYPE FASCIA- ED5HFN
DOUBLE CURL FASCIA- ED5HFB
ADJUSTABLE FASCIA- ED5HFA

6 INCH:

ROOF STYLE HANGER- ED6HR
FASCIA HANGER- ED6HF
NOSE TYPE FASCIA- ED6HFN
DOUBLE CURL FASCIA- ED6HFB
ADJUSTABLE FASCIA- ED6HFA

7.6 INCH:

ROOF STYLE HANGER- ED76HR
FASCIA HANGER- ED76HF
ADJUSTABLE FASCIA- ED76HFA

PLAIN DROP OUTLETS:

2 INCH ROUND- ED2DROP
3 INCH ROUND- ED3DROP
4 INCH ROUND- ED4DROP
5 INCH ROUND- ED5DROP
2 INCH FLAT- ED2DROP
3 INCH FLAT- ED3DROP
4 INCH FLAT- ED4DROP
5 INCH FLAT- ED5DROP
3 INCH SQUARE- ED3DROPFSQ80
4 INCH SQUARE- ED4DROPFSQ100

STAR DROP OUTLETS:

4 INCH GUTTER, 2 INCH D.S.- ED42
4 INCH GUTTER, 3 INCH D.S.- ED43
5 INCH GUTTER, 3 INCH D.S.- ED53
5 INCH GUTTER, 4 INCH D.S.- ED54
6 INCH GUTTER, 4 INCH D.S.- ED64
6 INCH GUTTER, 5 INCH D.S.- ED65
7 INCH GUTTER, 5 INCH D.S.- ED75
7 INCH GUTTER, 6 INCH D.S.- ED76

GUTTER CONNECTORS:

5 INCH CONNECTOR- ED5GC
6 INCH CONNECTOR- ED6GC

ROUND ELBOWS:

2 INCH:

40 DEGREE SEAMLESS ELBOW- ED240
72 DEGREE SEAMLESS ELBOW- ED272
85 DEGREE SEAMLESS ELBOW- ED285

3 INCH:

40 DEGREE SEAMLESS ELBOW- ED340
60 DEGREE SEAMLESS ELBOW- ED360
72 DEGREE SEAMLESS ELBOW- ED372
85 DEGREE SEAMLESS ELBOW- ED385
72 DEGREE EXTENSION ELBOW- ED372EXT
(SPECIFY S, M, L, XL, XXL)

4 INCH:

40 DEGREE SEAMLESS ELBOW- ED440
60 DEGREE SEAMLESS ELBOW- ED460
72 DEGREE SEAMLESS ELBOW- ED472
85 DEGREE SEAMLESS ELBOW- ED485
72 DEGREE EXTENSION ELBOW- ED472EXT
(SPECIFY S, M, L, XL, XXL)

5 INCH:

40 DEGREE SEAMLESS ELBOW- ED540
72 DEGREE SEAMLESS ELBOW- ED572

***REINFORCED BEADED ELBOW: ED(SIZE)72B**

SQUARE ELBOWS:

3X3 72 DEGREE- ED372SQ80
4X4 72 DEGREE- ED472SQ80

OFFSETS:

3 INCH:

2 INCH OFFSET- ED3OS2
4 INCH OFFSET- ED3OS4

4 INCH:

2 INCH OFFSET- ED4OS2
4 INCH OFFSET- ED4OS4

DOWNSPOUT CONNECTORS:

2 INCH CONNECTOR- ED2CON
3 INCH CONNECTOR- ED3CON
4 INCH CONNECTOR- ED4CON
5 INCH CONNECTOR- ED5CON

DOWNSPOUT REDUCERS:

3 INCH TO 2 INCH- ED32REDUC
4 INCH TO 3 INCH- ED43REDUC
5 INCH TO 4 INCH- ED54REDUC



PRODUCT CODES- MITERS, BRACKETS, ACCESSORIES

TWO-WAY (Y) CONNECTORS:

3 INCH:

3 X 3 X 3 INCH 72 DEGREE- ED3Y

4 INCH:

4 X 4 X 3 INCH 72 DEGREE- ED43Y

4 X 4 X 4 INCH 72 DEGREE- ED4Y

5 INCH:

5 X 5 X 4 INCH 72 DEGREE- ED54Y

5 X 5 X 5 INCH 72 DEGREE- ED5Y

EXPANSION JOINTS:

5 INCH EXPANSION JOINT- ED5EXP

6 INCH EXPANSION JOINT- ED6EXP

7 INCH EXPANSION JOINT- ED7EXP

INLINE CLEANOUTS:

2 INCH CLEANOUT- ED2INC

3 INCH CLEANOUT- ED3INC

4 INCH CLEANOUT- ED4INC

5 INCH CLEANOUT- ED5INC

OUTSIDE MITERS:

4 INCH MITER- ED4MOUT

5 INCH MITER- ED5MOUT

6 INCH MITER- ED6MOUT

7 INCH MITER- ED7MOUT

INSIDE MITERS:

4 INCH MITER- ED4MIN

5 INCH MITER- ED5MIN

6 INCH MITER- ED6MIN

7 INCH MITER- ED7MIN

DOWNSPOUT BRACKET COVERS:

2 INCH COVER- ED2PC

3 INCH COVER- ED3PC

4 INCH COVER- ED4PC

5 INCH COVER- ED5PC

FINIALS:

BALL & SPIKE- O3BS006

GAMBERI- O3FGB006

LANCUT- O3FLF006

SCROLL- O3FSF006

TALL SPIKE- O3FTS007

PINEAPPLE- O3FP007

CUPOLAS:

BOMBAY- CU818

BRITTANY- CUC18

DULEY- CU118

LIGHT HOUSE- PLEASE CALL

NEW HAVEN- CUE18

PROVIDENCE- CU103

DORMER VENTS:

HALF ROUND- O3DV224

WINGED- O3DV40

ARCH TOP- O3DV524

DOWNSPOUT BRACKETS:

2 INCH:

ROUND WITH SCREW- ED2DSB

ROUND WITH NAIL(140mm)- ED2DSBN140

ROUND WITH NAIL(200mm)- ED2DSBN200

3 INCH:

ROUND WITH SCREW- ED3DSB

ROUND WITH NAIL(140mm)- ED3DSBN140

ROUND WITH NAIL(200mm)- ED3DSBN200

3X3 SQUARE BRACKET- ED3DSBSQ80

4 INCH:

ROUND WITH SCREW- ED4DSB

ROUND WITH NAIL(140mm)- ED4DSBN140

ROUND WITH NAIL(200mm)- ED4DSBN200

3X3 SQUARE BRACKET- ED4DSBSQ100

DOWNSPOUT BRACKETS CONT'D:

5 INCH:

ROUND WITH SCREW- ED5DSB

ROUND WITH NAIL(140mm)- ED5DSBN140

ROUND WITH NAIL(200mm)- ED5DSBN200

WIRE STRAINER:

3 INCH STRAINER- ED3WS

4 INCH STRAINER- ED4WS

5 INCH STRAINER- ED5WS

GUTTER/LEAF GUARDS:

5 INCH GUARD- ED5GG

6 INCH GUARD- ED6GG

7 INCH GUARD- ED7GG

RAIN CHAINS:

LILLY CHAIN- SL-6009

CHAIN LINKS- SL-6008

TULIP CHAIN- SL-6007

SQUARE CUP- SL-6006

ROUND CUP- SL-6005



PREMIUM QUALITY PRODUCTS

PRODUCT CODES- ACCESSORIES, TOOLS

LEADER HEADS:

CHARLESTON- O3LCH02C
HAMOR STYLE- SL-6004
KENT STYLE- O3LKT02C
KRUPP STYLE- O3LKR02C
LAWRENCE- ED_(size)_LH
THE PARIS- O3LPS02C
STANDARD- SL-6002
VISTULA- SL-6001
WOLFORD- SL- 6003

WINDOW DORMERS:

MARQUE- WD100
MONTPELLIER- WD300
VENETION- WD200

CHIMNEY CAPS:

PATZ- O3CCC02
LOW PROFILE PATZ- O3CCC01
CLASSIC- O3CCC03
CONESTOGA- O3CCC04
CAPISTRANO- O3CCC18
DONLLEY- O3CCC08

TOOLS:

DEBURRING TOOL- EDDBT
LUBRICATING SPRAY FOR CUTTING BLADES- EDLUBE
HANGER BENDING TOOL- EDRHBT
TINNING BLOCK- ST20-201-72
GEL FLUX- ST21-100-22
WEIMAN'S COPPER CLEANER- WEIMANS-8-0Z
SOLDERING IRON- SOLDER IRON KIT
COPPER SHIELD- COPPERSHIELD



WORLD GUTTER SYSTEMS®
Div. of Slate And Copper Sales Company®
436 West 12th Street
Erie, Pa 16501

PH: 814-455-7430 | FAX: 814-464-8838

www.SlateAndCopper.com



**World Gutter Systems® products
are also available in 20oz. Zinc,
And Pre-Painted, 24 Gauge Galvanized G90**